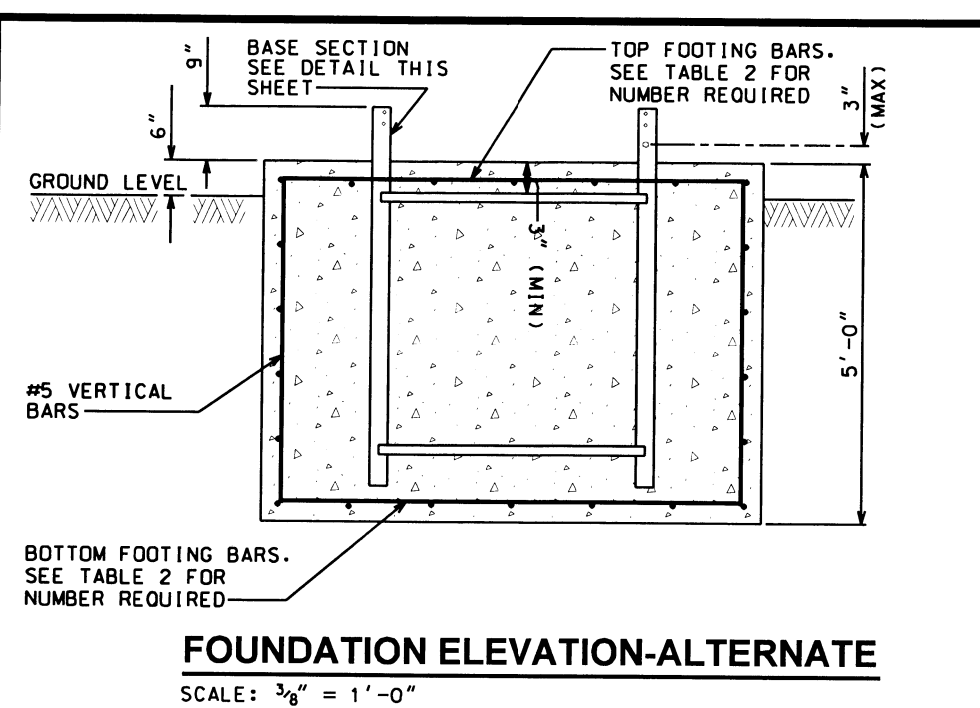
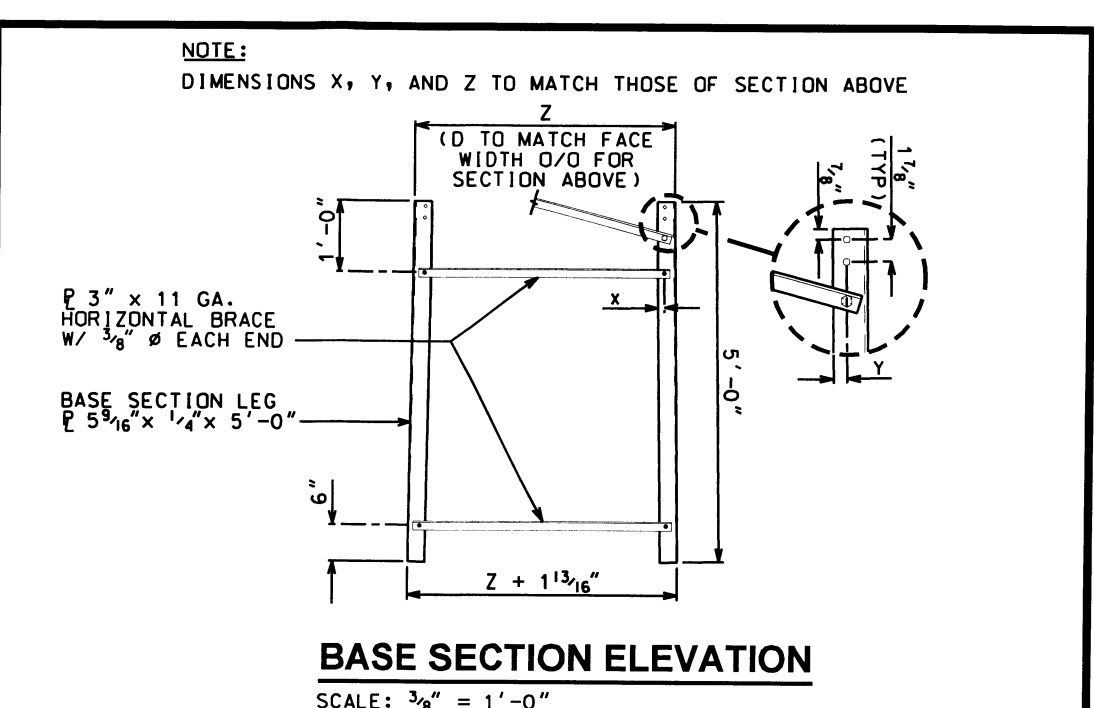


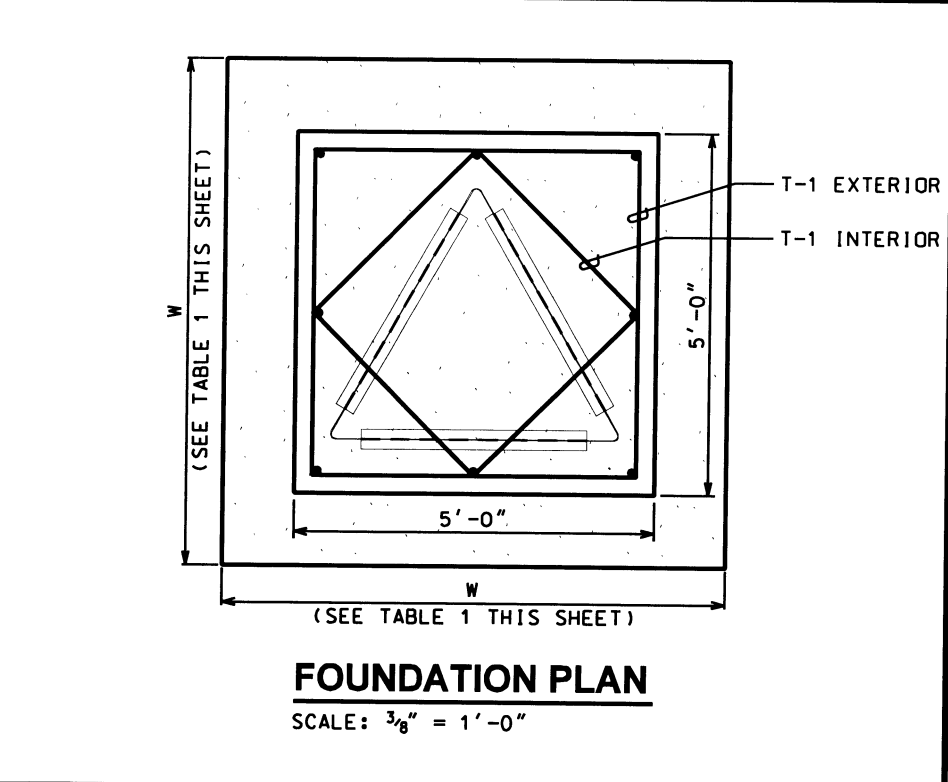
**FOUNDATION ELEVATION**  
SCALE: 3/8" = 1'-0"



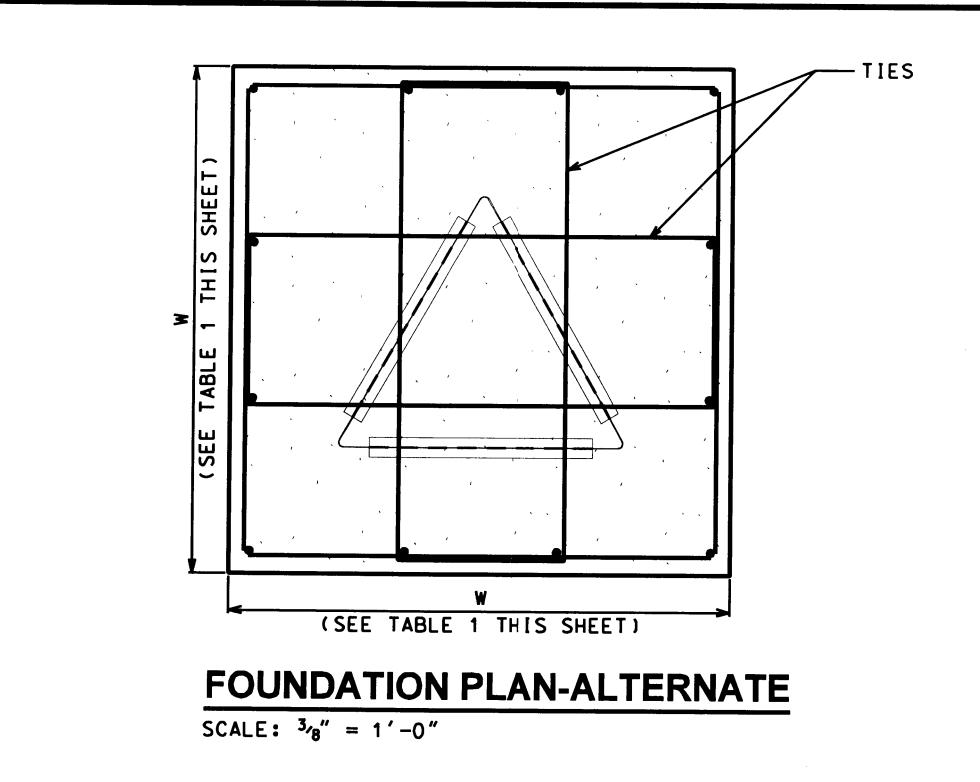
**FOUNDATION ELEVATION-ALTERNATE**  
SCALE: 3/8" = 1'-0"



**BASE SECTION ELEVATION**  
SCALE: 3/8" = 1'-0"



**FOUNDATION PLAN**  
SCALE: 3/8" = 1'-0"



**FOUNDATION PLAN-ALTERNATE**  
SCALE: 3/8" = 1'-0"

- NOTES:**
- 3" COVER FOR ALL STEEL IN THE FOUNDATION IS REQUIRED
  - CONCRETE SHALL BE 4000 PSI AT 28 DAYS
  - ALL STEEL REINFORCEMENT SHALL BE ASTM A615, GR. 60
  - IF FROST LINE IS KNOWN TO BE GREATER THAN 5'-0" OR WATER TABLE IS LESS THAN 5'-0" DESIGN ENGINEER SHALL BE NOTIFIED PRIOR TO CONSTRUCTION.
  - FOUNDATION DESIGN BASED ON ANSI/TIA/EIA-22-F-1996 "NORMAL SOIL PARAMETERS"
  - ALL CONCRETE REINFORCING DETAILING SHALL BE PER ACI 318.
  - THEORETICAL WEIGHT OF BASE SECTION BEFORE GALVANIZING = 100#
  - PROVIDE SPACER PLATES AS NEEDED.
  - INSTALL TOWER BASE SECTION AFTER SETTING BOTTOM STEEL REINFORCING AND PRIOR TO SETTING VERTICAL BARS, TIES, AND TOP STEEL.
  - EW DENOTES "EACH WAY"
  - [xx] DENOTES TOTAL NUMBER OF BARS OR TIES REQUIRED
  - T DENOTES TOP OF FOOTING
  - B DENOTES BOTTOM OF FOOTING
  - T & B DENOTES "TOP AND BOTTOM"

TABLE 1				
FOUNDATION TYPE	W	VERTICAL BARS	TIES	FOOTING BARS
A	9'-0"	(8) - #5 [8]	#3 @12" [4]	(7) - #5 EW-T&B [28]
B	8'-0"	(8) - #5 [8]	#3 @12" [4]	(6) - #5 EW-T&B [24]
C	7'-0"	(8) - #5 [8]	#3 @12" [4]	(5) - #5 EW-T&B [20]
D	6'-0"	(8) - #5 [8]	#3 @12" [4]	(4) - #5 EW-T&B [16]
E	5'-0"	(8) - #5 [8]	#3 @12" [4]	(4) - #5 EW-T&B [16]

TABLE 2				
FOUNDATION TYPE	W	VERTICAL BARS	TIES	FOOTING BARS
A	9'-0"	(12) - #5 [12]	#3 @12" [12]	(7) - #5 EW-B + (4) - #5 EW-T [22]
B	8'-0"	(12) - #5 [12]	#3 @12" [12]	(6) - #5 EW-B + (4) - #5 EW-T [20]
C	7'-0"	(12) - #5 [12]	#3 @12" [12]	(5) - #5 EW-B + (4) - #5 EW-T [18]
D	6'-0"	(12) - #5 [12]	#3 @12" [12]	(4) - #5 EW-B + (3) - #5 EW-T [14]
E	5'-0"	(12) - #5 [12]	#3 @12" [12]	(4) - #5 EW-B + (3) - #5 EW-T [14]

TOWER MANUFACTURER : <b>AN Wireless</b> RF Communications Towers  430 South Columbus Avenue Littlestown, PA 17340 Office: (717) 465-0519 Fax: (717) 359-0520 www.anwireless.com		TOWER DESIGNER :  <b>TOWER ENGINEERING PROFESSIONALS</b> 3703 Junction Boulevard Raleigh, NC 27603 Office: (919) 661-6351 Fax: (919) 661-6350	
DRAWN BY : G.M.ANDERSS		CHECKED BY : A.T.HALDANE	
SHEET TITLE :			
<b>KK3AN FOUNDATION DRAWING</b>			
SHEET NUMBER :		PROJECT #: 03230	
<b>KK3AN-F1</b>		DATE: 07-10-03	