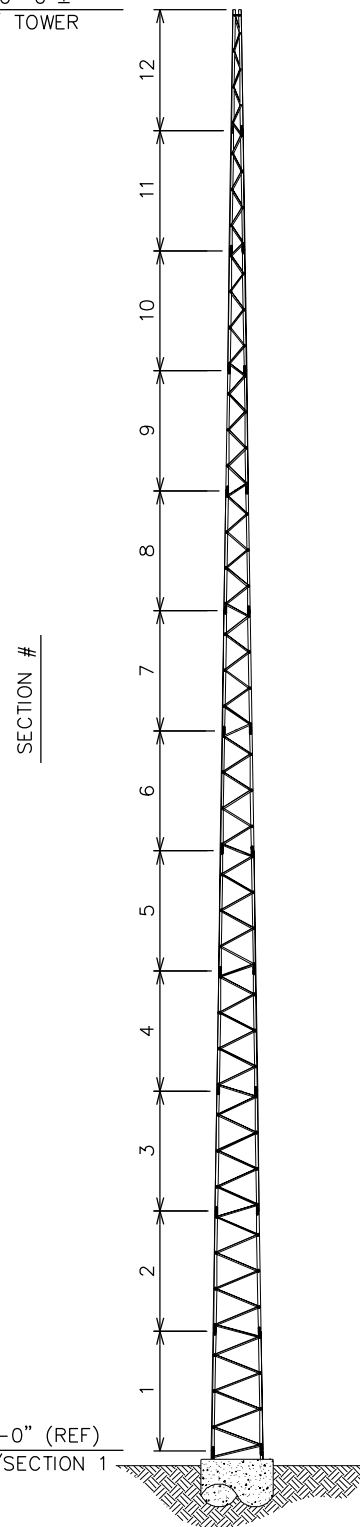


120'-0"±
T/ TOWER



SECTION #

TOWER ELEVATION

N.T.S.

ALLOWABLE DESIGN LOADING FOR ROUND APPURTENANCES

(SEE FOOTNOTE 2 FOR LOADING CONFIGURATIONS WITH FLAT APPURTENANCES)

| TOWER HEIGHT (FT) | TOWER MODEL | TOWER SECTION | 90-mph BWS | | 100-mph BWS | | 110-mph BWS | | 120-mph BWS | | 130-mph BWS | | 140-mph BWS | |
|-------------------|-------------|---------------|------------------------------|-----------------|------------------------------|-----------------|------------------------------|-----------------|------------------------------|-----------------|------------------------------|-----------------|------------------------------|-----------------|
| | | | AREA, A _a (sq ft) | FOUNDATION TYPE | AREA, A _a (sq ft) | FOUNDATION TYPE | AREA, A _a (sq ft) | FOUNDATION TYPE | AREA, A _a (sq ft) | FOUNDATION TYPE | AREA, A _a (sq ft) | FOUNDATION TYPE | AREA, A _a (sq ft) | FOUNDATION TYPE |
| 100 | HHD-100 | 1-10 | 18.5 | G | 2.5 | G | - | - | - | - | - | - | - | - |
| 90 | HHD-90 | 1-9 | 28.5 | G | 11.0 | G | - | - | - | - | - | - | - | - |
| 80 | HHD-80 | 1-8 | 45.0 | G | 25.0 | G | - | - | - | - | - | - | - | - |

NOTES:

- TOWER DESIGNS ARE IN ACCORDANCE WITH THE APPROVED NATIONAL STANDARD, ANSI/TIA-222-G, USING THE FOLLOWING DESIGN CRITERIA:
 - EXPOSURE CATEGORY C: OPEN TERRAIN WITH SCATTERED OBSTRUCTIONS HAVING HEIGHTS GENERALLY LESS THAN 30-FT. THIS CATEGORY INCLUDES FLAT, OPEN COUNTRY, GRASSLANDS AND SHORELINES IN HURRICANE PRONE REGIONS.
 - STRUCTURE CLASS 1: STRUCTURES THAT DUE TO HEIGHT, USE OR LOCATION REPRESENT A LOW HAZARD TO HUMAN LIFE AND DAMAGE TO PROPERTY IN THE EVENT OF FAILURE AND/OR USED FOR SERVICES THAT ARE OPTIONAL AND/OR WHERE A DELAY IN RETURNING THE SERVICES WOULD BE ACCEPTABLE.
 - TOPOGRAPHIC CATEGORY 1: NO ABRUPT CHANGES IN GENERAL TOPOGRAPHY, E.G. FLAT OR ROLLING TERRAIN, NO WIND SPEED UP CONSIDERATION SHALL BE REQUIRED.
- THE ALLOWABLE APPURTENANCE AREAS, A_a (SQ FT), ARE CALCULATED FOR ROUND OR CYLINDRICAL APPURTENANCES. WHEN LOADING INCLUDES FLAT APPURTENANCES OR FLAT COMPONENTS, THE ALLOWABLE A_a LISTED SHALL BE REDUCED BY A FACTOR OF 0.7.
- LOADING VALUES ASSUME THREE (3) 1/2" TRANSMISSION LINES SYMMETRICALLY PLACED AROUND THE TOWER.
- THE FULL ALLOWABLE LOADING SHALL NOT BE PLACED HIGHER THAN 5-FT ABOVE THE TOP OF TOWER.
- FOUNDATIONS HAVE BEEN DESIGNED FOR THE PRESUMPTIVE SOIL PARAMETERS PROVIDED IN ANNEX F OF THE TIA-222-G STANDARD FOR A CLAY SOIL TYPE.
- ALL TOWER INSTALLATIONS SHALL BE GROUNDED IN ACCORDANCE WITH LOCAL AND NATIONAL CODES.

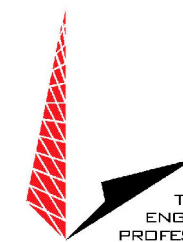
PREPARED FOR:



AN Wireless Towers

350 Kuhn Fording Road
East Berlin, PA 17316
Office: (717) 259-0419
Mobile: (717) 465-0519
www.anwtowers.com

PREPARED BY:



TOWER ENGINEERING PROFESSIONALS

326 Tryon Road
Raleigh, NC 27603
Office: (919) 661-6351
Fax: (919) 661-6350
www.tepgroup.net

SHEET TITLE:

**HHD TOWER MODELS
ALLOWABLE DESIGN LOADING**

DESIGN INFORMATION:

STANDARD: ANSI/TIA-222-G-1
EXPOSURE CATEGORY: C
STRUCTURE CLASSIFICATION: 1
TOPOGRAPHIC CATEGORY: 1
SOIL TYPE: CLAY

TEPJOB #: 090003.10 DRAWN BY: PEH REV: 1