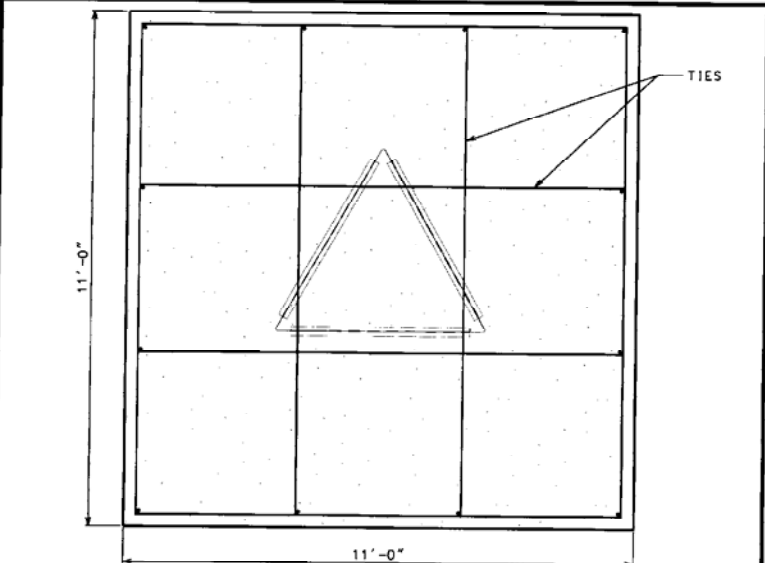


ALTERNATE FOUNDATION ELEVATION

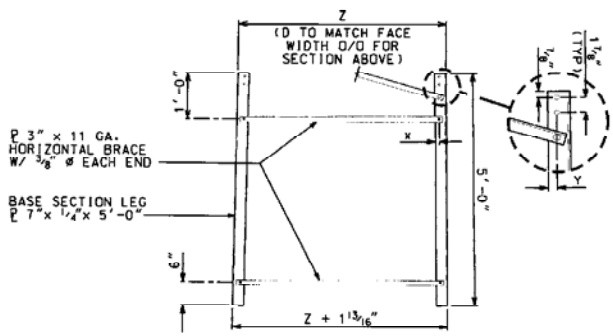
SCALE: 3/8" = 1'-0"



ALTERNATE FOUNDATION PLAN

SCALE: 3/8" = 1'-0"

NOTE:
DIMENSIONS X, Y, AND Z TO MATCH THOSE OF SECTION ABOVE



BASE SECTION ELEVATION

SCALE: 3/8" = 1'-0"

ALTERNATE FOUNDATION TABLE			
FOUNDATION SIZE	VERTICAL BARS	TIES	FOOTING BARS
11'x11'x5'-0"	(12) - #8 [12]	#4 @12" [12]	(8) - #8 EW-T&B [32]

- NOTES:
- 3" COVER FOR ALL STEEL IN THE FOUNDATION IS REQUIRED
 - CONCRETE SHALL BE 4000 PSI AT 28 DAYS
 - ALL STEEL REINFORCEMENT SHALL BE ASTM A615, GR. 60
 - IF FROST LINE IS KNOWN TO BE GREATER THAN 5'-0" OR WATER TABLE IS LESS THAN 5'-0" DESIGN ENGINEER SHALL BE NOTIFIED PRIOR TO CONSTRUCTION.
 - FOUNDATION DESIGN BASED ON ANSI/TIA/EIA-222-F-1996 "NORMAL SOIL PARAMETERS"
 - ALL CONCRETE REINFORCING DETAILING SHALL BE PER ACI 318.
 - THEORETICAL WEIGHT OF BASE SECTION BEFORE GALVANIZING = 100#
 - PROVIDE SPACER PLATES AS NEEDED.
 - INSTALL TOWER BASE SECTION AFTER SETTING BOTTOM STEEL REINFORCING AND PRIOR TO SETTING VERTICAL BARS, TIES, AND TOP STEEL.
 - EW DENOTES "EACH WAY"
 - [x] DENOTES TOTAL NUMBER OF BARS OR TIES REQUIRED
 - T DENOTES TOP OF FOOTING
 - B DENOTES BOTTOM OF FOOTING
 - T & B DENOTES "TOP AND BOTTOM"
 - ELEVATION AND PLAN DRAWINGS DO NOT DEPICT NUMBER OF BARS, FOR QUANTITY AND SIZES OF BARS SEE TABLES BELOW.



0	02-01-05	CONSTRUCTION
REV	DATE	ISSUED FOR :
TOWER MANUFACTURER :		TOWER DESIGNER :
AN Wireless RF Communications Towers		TOWER ENGINEERING PROFESSIONALS
75 Bridge Street Johnstown, PA 15902 Office: (717) 465-0519 Fax: (814) 255-4725 www.anwireless.com		3703 Junction Boulevard Raleigh, NC 27603 Office: (919) 661-6351 Fax: (919) 661-6350
JOB NO. : 04593	DRAWN BY: J06	CHECKED BY: ML1
SHEET TITLE :		
HD120 FOUNDATION ALTERNATE DRAWING		
SHEET NUMBER :		REVISION:
HD120-F1-A		0