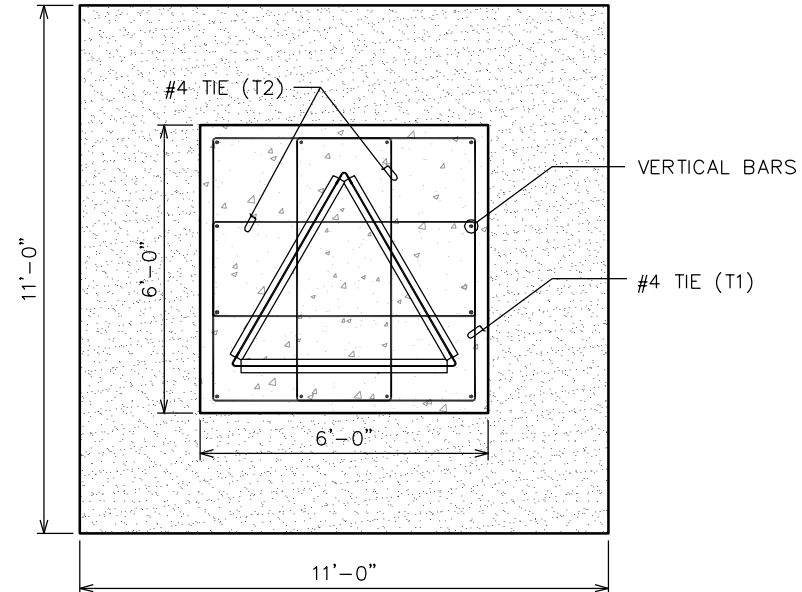


NOTE:
TOP AND BOTTOM BARS
NOT SHOWN FOR CLARITY.



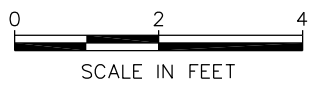
REINFORCEMENT SCHEDULE			
BAR	#	QUANTITY	LENGTH
TOP BARS	8	16	10'-6"
BOTTOM BARS	8	16	10'-6"
VERTICAL BARS	8	12	5'-10"
TIE (T1)	4	4	22'-8"
TIE (T2)	4	4	15'-8"

NOTES

- 3" COVER FOR ALL STEEL IN THE FOUNDATION IS REQUIRED.
- CONCRETE SHALL BE 4000 PSI AT 28 DAYS.
- ALL STEEL REINFORCEMENT SHALL BE ASTM A615, GR. 60.
- FOUNDATION DESIGN BASED ON THE PRESUMPTIVE SOIL PARAMETERS LISTED IN ANNEX F OF THE TIA-222-G STANDARD.
- FOUNDATION PIER IS DESIGNED AS STRUCTURAL PLAIN CONCRETE
- THEORETICAL WEIGHT OF BASE SECTION BEFORE GALVANIZING IS 100 LBS.
- TACK WELDS ARE PERMITTED ON PROPOSED REINFORCEMENT CAGE.
- INSTALL TOWER BASE SECTION AFTER SETTING BOTTOM STEEL REINFORCING AND PRIOR TO SETTING VERTICAL BARS, TIES, AND TOP STEEL.

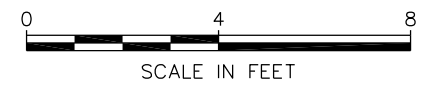
FOUNDATION ELEVATION

SCALE: 3/8" = 1'-0"

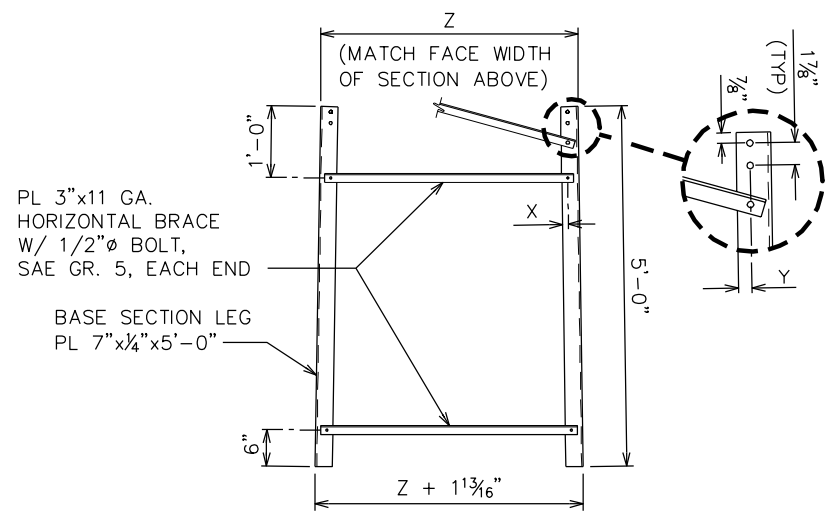


FOUNDATION PLAN VIEW

SCALE: 1/4" = 1'-0"

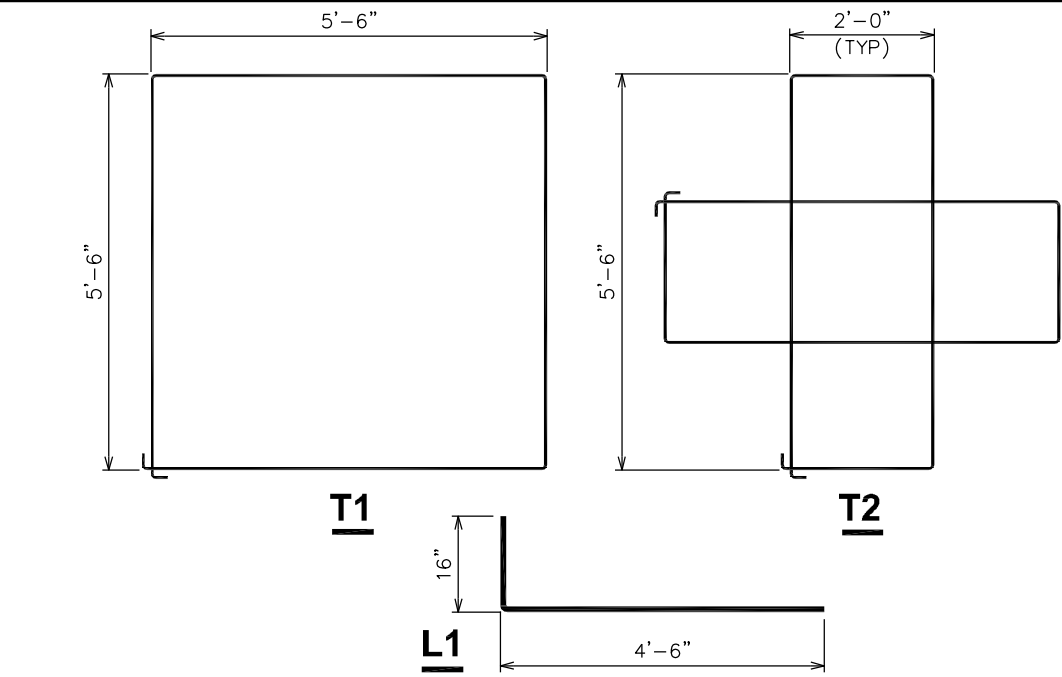


NOTE:
DIMENSIONS X, Y, AND Z TO MATCH THOSE OF SECTION ABOVE



BASE SECTION ELEVATION

SCALE: 3/8" = 1'-0"



BAR DETAILS

SCALE: 3/8" = 1'-0"



TOWER MANUFACTURER:



350 Kuhn Fording Road
East Berlin, PA 17316
Office: (717) 259-0419
Mobile: (717) 465-0519
www.anwtowers.com

TOWER DESIGNER:



326 Tryon Road
Raleigh, NC 27603
Office: (919) 661-6351
Fax: (919) 661-6350
www.tepgroup.net

PROJECT INFORMATION:

FOUNDATION TYPE G

0	03-15-10	STANDARD DRAWINGS
REV	DATE	ISSUED FOR: PLANNING

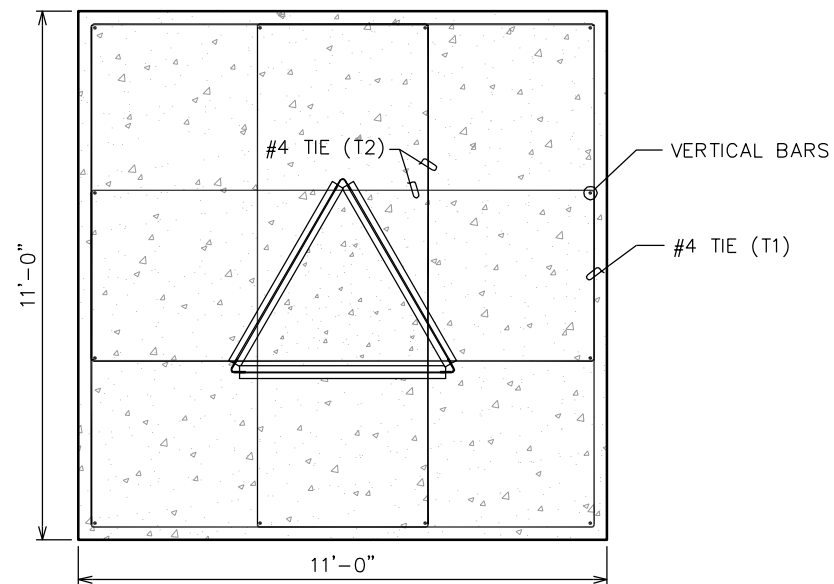
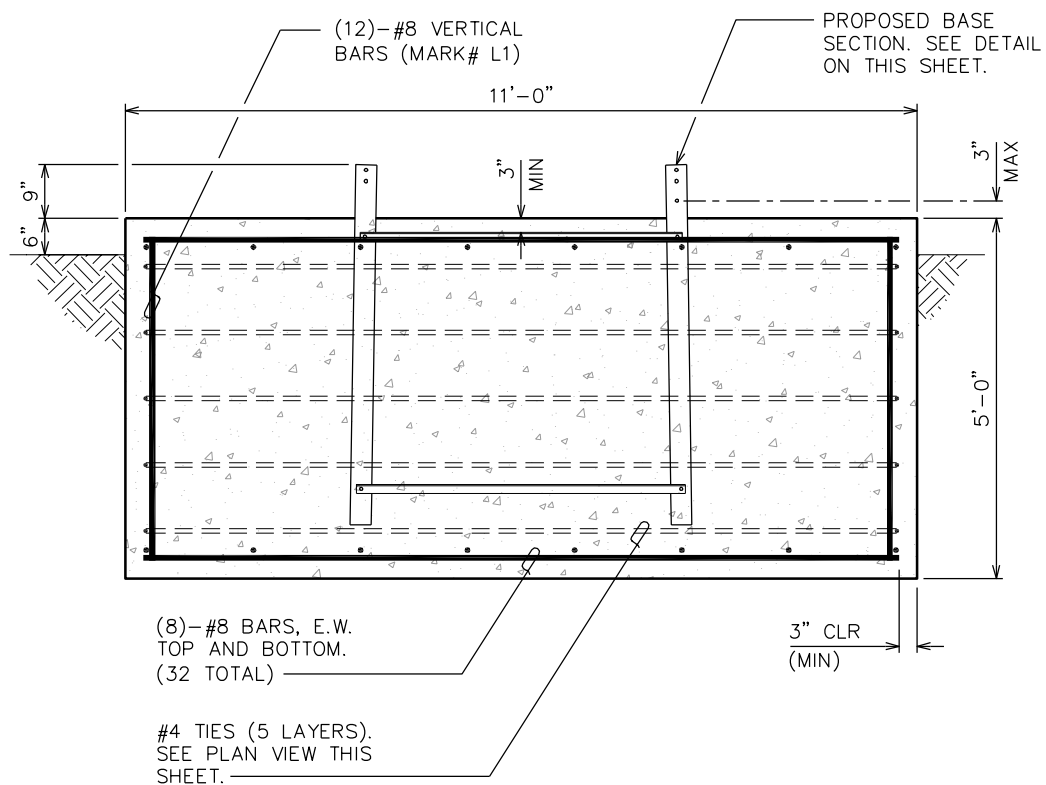
JOB #:	090003.10	DRAWN BY:	PEH	CHECKED BY:	REG
--------	-----------	-----------	-----	-------------	-----

SHEET TITLE:
PAD & PIER FOUNDATION

FOUNDATION TYPE:	G	REVISION:	0
------------------	----------	-----------	----------

NOTE:

TOP AND BOTTOM BARS NOT SHOWN FOR CLARITY.



REINFORCEMENT SCHEDULE

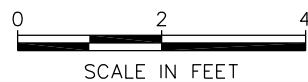
BAR	#	QUANTITY	LENGTH
TOP BARS	8	16	10'-6"
BOTTOM BARS	8	16	10'-6"
VERTICAL BARS	8	12	5'-10"
TIE (T1)	4	5	42'-8"
TIE (T2)	4	10	28'-10"

NOTES

- 3" COVER FOR ALL STEEL IN THE FOUNDATION IS REQUIRED.
- CONCRETE SHALL BE 4000 PSI AT 28 DAYS.
- ALL STEEL REINFORCEMENT SHALL BE ASTM A615, GR. 60.
- FOUNDATION DESIGN BASED ON THE PRESUMPTIVE SOIL PARAMETERS LISTED IN ANNEX F OF THE TIA-222-G STANDARD.
- FOUNDATION PIER IS DESIGNED AS STRUCTURAL PLAIN CONCRETE
- THEORETICAL WEIGHT OF BASE SECTION BEFORE GALVANIZING IS 100 LBS.
- TACK WELDS ARE PERMITTED ON PROPOSED REINFORCEMENT CAGE.
- INSTALL TOWER BASE SECTION AFTER SETTING BOTTOM STEEL REINFORCING AND PRIOR TO SETTING VERTICAL BARS, TIES, AND TOP STEEL.

FOUNDATION ELEVATION

SCALE: 3/8" = 1'-0"



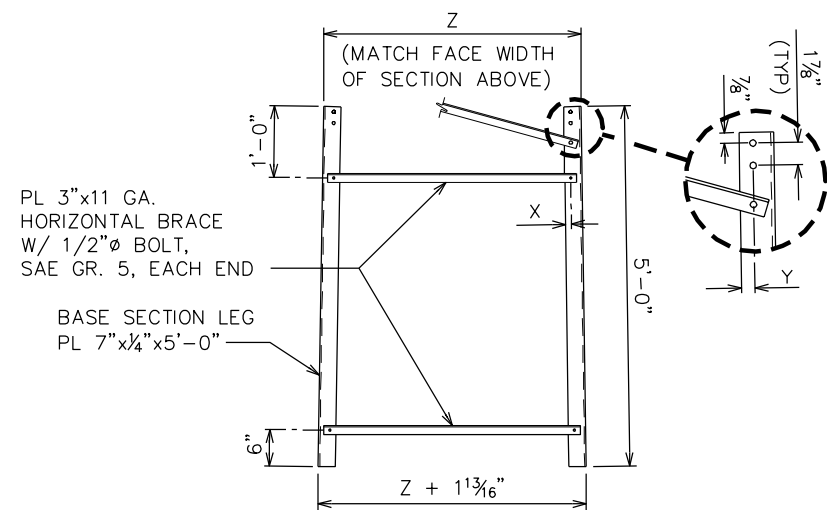
FOUNDATION PLAN VIEW

SCALE: 1/4" = 1'-0"



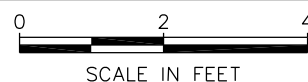
NOTE:

DIMENSIONS X, Y, AND Z TO MATCH THOSE OF SECTION ABOVE



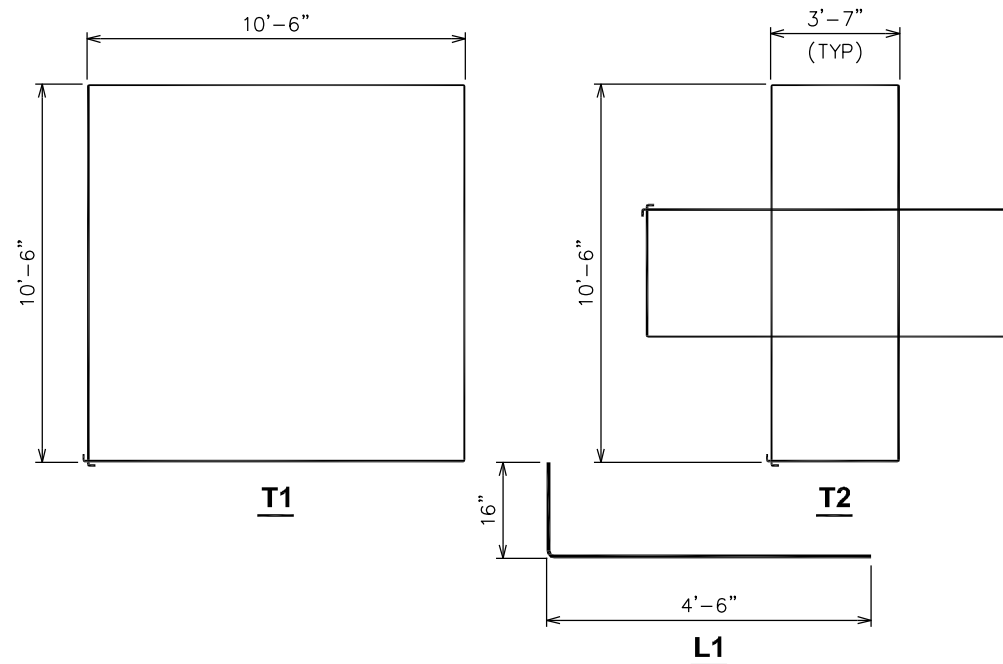
BASE SECTION ELEVATION

SCALE: 3/8" = 1'-0"



BAR DETAILS

SCALE: 3/16" = 1'-0"

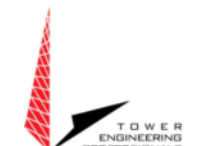


TOWER MANUFACTURER:



350 Kuhn Fording Road
East Berlin, PA 17316
Office: (717) 259-0419
Mobile: (717) 465-0519
www.anwtowers.com

TOWER DESIGNER:



326 Tryon Road
Raleigh, NC 27603
Office: (919) 661-6351
Fax: (919) 661-6350
www.tepgroup.net

PROJECT INFORMATION:

FOUNDATION TYPE G

0	03-15-10	STANDARD DRAWINGS
REV	DATE	ISSUED FOR: PLANNING

JOB #:	090003.10	DRAWN BY:	PEH	CHECKED BY:	REG
--------	-----------	-----------	-----	-------------	-----

SHEET TITLE:

SOLID BLOCK FOUNDATION

FOUNDATION TYPE:

G

REVISION:

0