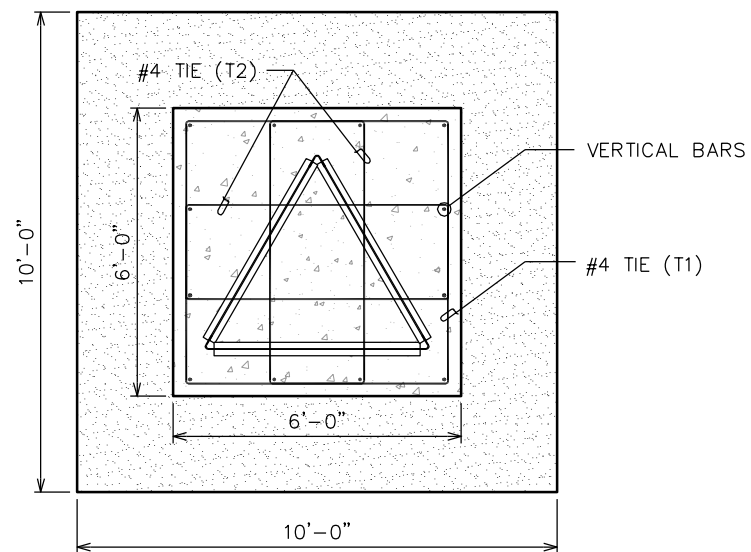


**NOTE:**  
TOP AND BOTTOM BARS  
NOT SHOWN FOR CLARITY.



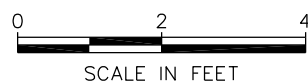
REINFORCEMENT SCHEDULE			
BAR	#	QUANTITY	LENGTH
TOP BARS	8	16	9'-6"
BOTTOM BARS	8	16	9'-6"
VERTICAL BARS	8	12	5'-10"
TIE (T1)	4	4	22'-8"
TIE (T2)	4	4	15'-8"

**NOTES**

- 3" COVER FOR ALL STEEL IN THE FOUNDATION IS REQUIRED.
- CONCRETE SHALL BE 4000 PSI AT 28 DAYS.
- ALL STEEL REINFORCEMENT SHALL BE ASTM A615, GR. 60.
- FOUNDATION DESIGN BASED ON THE PRESUMPTIVE SOIL PARAMETERS LISTED IN ANNEX F OF THE TIA-222-G STANDARD.
- FOUNDATION PIER IS DESIGNED AS STRUCTURAL PLAIN CONCRETE
- THEORETICAL WEIGHT OF BASE SECTION BEFORE GALVANIZING IS 100 LBS.
- TACK WELDS ARE PERMITTED ON PROPOSED REINFORCEMENT CAGE.
- INSTALL TOWER BASE SECTION AFTER SETTING BOTTOM STEEL REINFORCING AND PRIOR TO SETTING VERTICAL BARS, TIES, AND TOP STEEL.

**FOUNDATION ELEVATION**

SCALE: 3/8" = 1'-0"



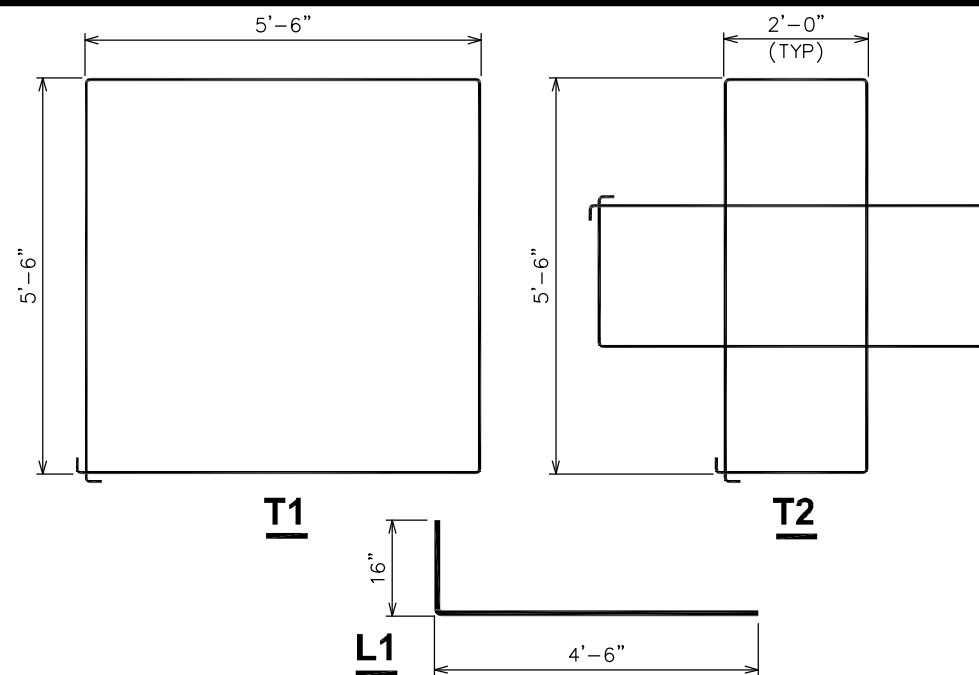
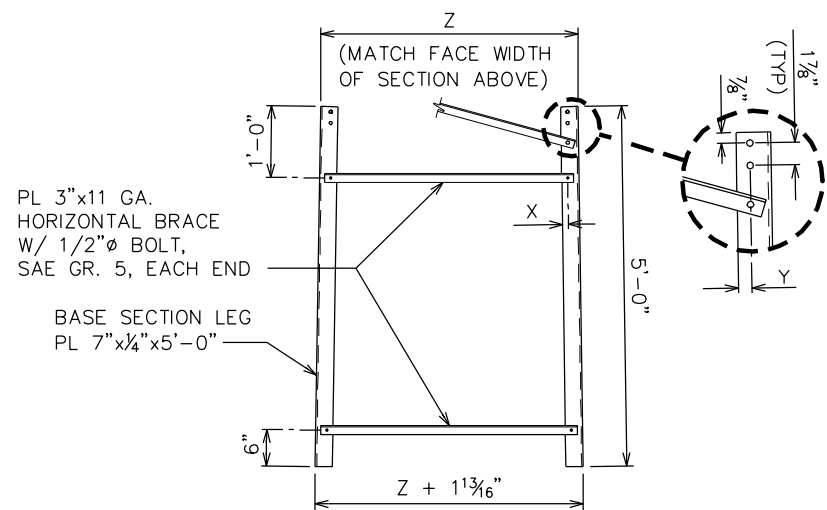
**FOUNDATION PLAN VIEW**

SCALE: 1/4" = 1'-0"



**NOTE:**

DIMENSIONS X, Y, AND Z TO MATCH THOSE OF SECTION ABOVE



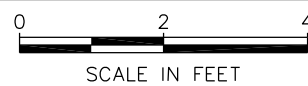
**BAR DETAILS**

SCALE: 3/8" = 1'-0"



**BASE SECTION ELEVATION**

SCALE: 3/8" = 1'-0"



TOWER MANUFACTURER:

**AN Wireless Towers**  
350 Kuhn Fording Road  
East Berlin, PA 17316  
Office: (717) 259-0419  
Mobile: (717) 465-0519  
www.anwtowers.com

TOWER DESIGNER:

**TOWER ENGINEERING PROFESSIONALS**  
326 Tryon Road  
Raleigh, NC 27603  
Office: (919) 661-6351  
Fax: (919) 661-6350  
www.tepgroup.net

PROJECT INFORMATION:

**FOUNDATION TYPE F**

0	03-15-10	STANDARD DRAWINGS
REV	DATE	ISSUED FOR: PLANNING

JOB #: 090003.10 DRAWN BY: PEH CHECKED BY: REG

SHEET TITLE:

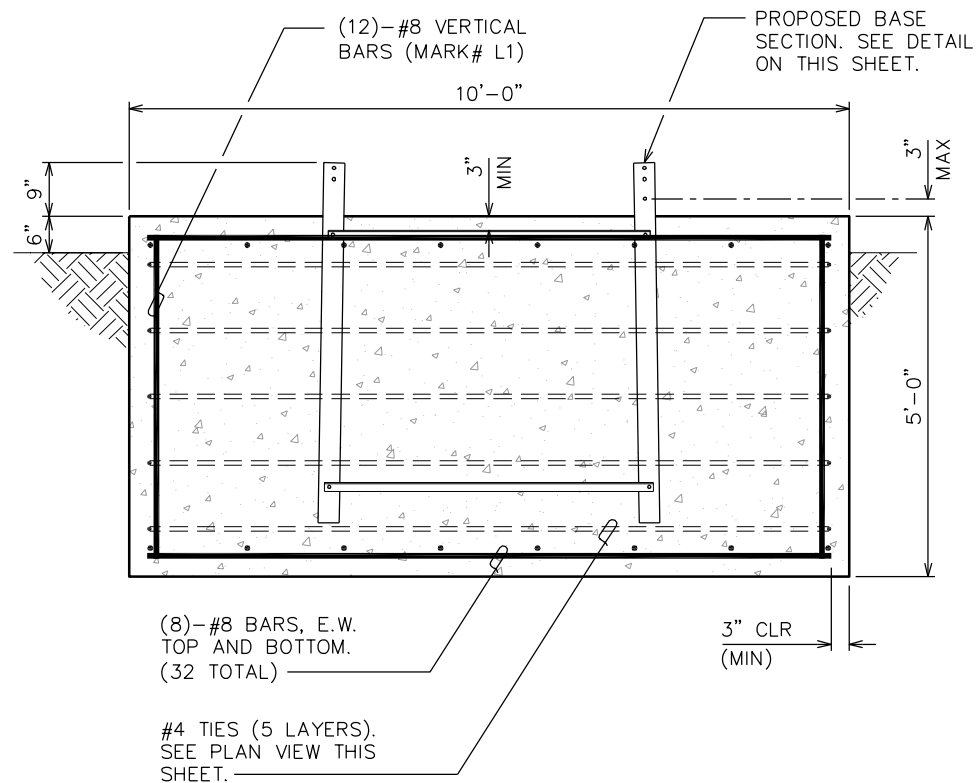
**PAD & PIER FOUNDATION**

FOUNDATION TYPE:

**F**

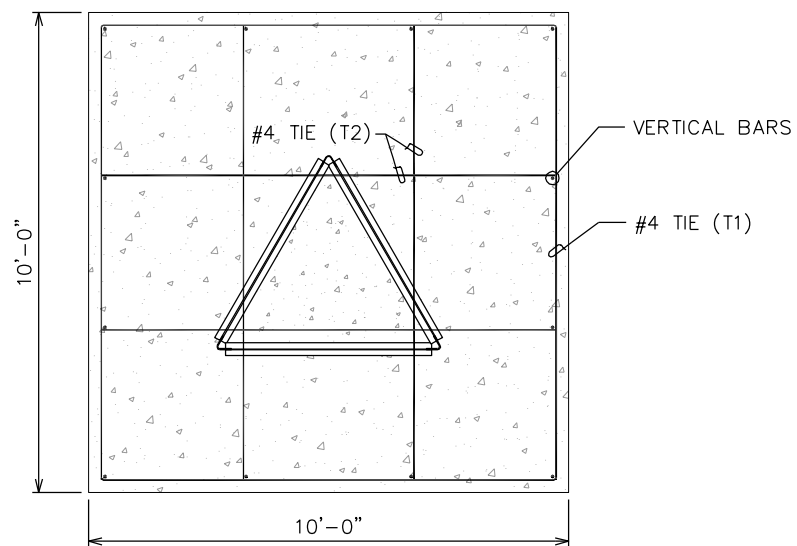
REVISION:

**0**



**NOTE:**

TOP AND BOTTOM BARS NOT SHOWN FOR CLARITY.



**REINFORCEMENT SCHEDULE**

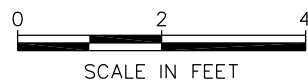
BAR	#	QUANTITY	LENGTH
TOP BARS	8	16	9'-6"
BOTTOM BARS	8	16	9'-6"
VERTICAL BARS	8	12	5'-10"
TIE (T1)	4	5	38'-8"
TIE (T2)	4	10	26'-2"

**NOTES**

- 3" COVER FOR ALL STEEL IN THE FOUNDATION IS REQUIRED.
- CONCRETE SHALL BE 4000 PSI AT 28 DAYS.
- ALL STEEL REINFORCEMENT SHALL BE ASTM A615, GR. 60.
- FOUNDATION DESIGN BASED ON THE PRESUMPTIVE SOIL PARAMETERS LISTED IN ANNEX F OF THE TIA-222-G STANDARD.
- FOUNDATION PIER IS DESIGNED AS STRUCTURAL PLAIN CONCRETE
- THEORETICAL WEIGHT OF BASE SECTION BEFORE GALVANIZING IS 100 LBS.
- TACK WELDS ARE PERMITTED ON PROPOSED REINFORCEMENT CAGE.
- INSTALL TOWER BASE SECTION AFTER SETTING BOTTOM STEEL REINFORCING AND PRIOR TO SETTING VERTICAL BARS, TIES, AND TOP STEEL.

**FOUNDATION ELEVATION**

SCALE: 3/8" = 1'-0"



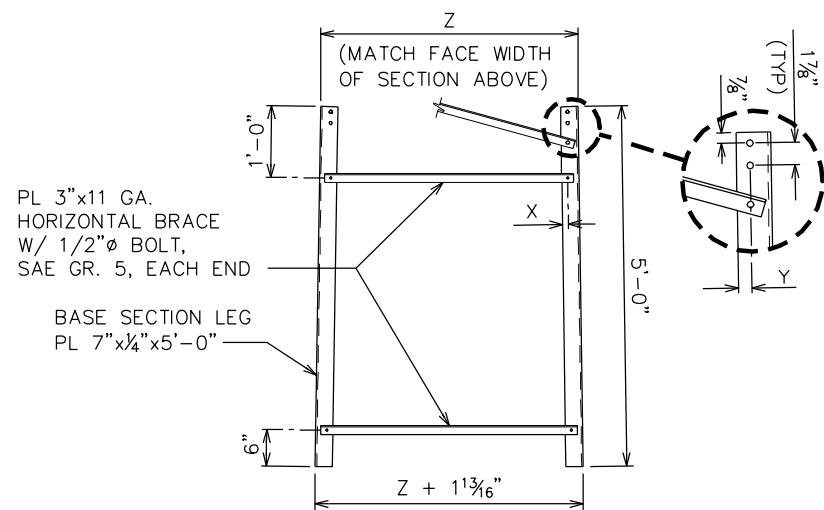
**FOUNDATION PLAN VIEW**

SCALE: 1/4" = 1'-0"



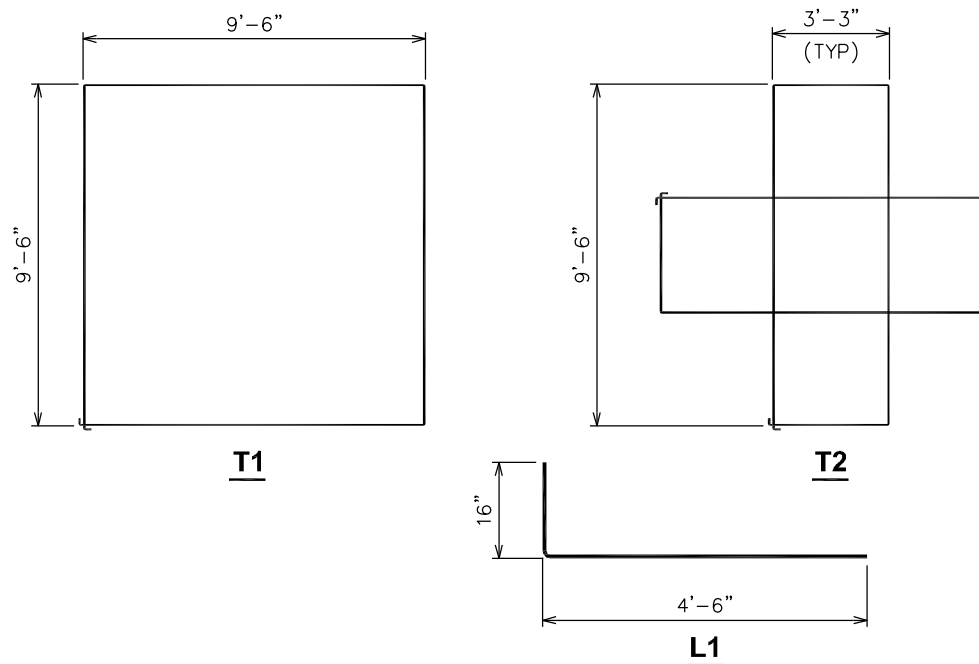
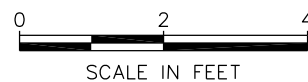
**NOTE:**

DIMENSIONS X, Y, AND Z TO MATCH THOSE OF SECTION ABOVE



**BASE SECTION ELEVATION**

SCALE: 3/8" = 1'-0"



**BAR DETAILS**

SCALE: 3/16" = 1'-0"

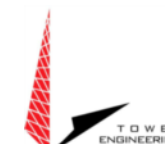


TOWER MANUFACTURER:



350 Kuhn Fording Road  
East Berlin, PA 17316  
Office: (717) 259-0419  
Mobile: (717) 465-0519  
www.anwtowers.com

TOWER DESIGNER:



326 Tryon Road  
Raleigh, NC 27603  
Office: (919) 661-6351  
Fax: (919) 661-6350  
www.tepgroup.net

PROJECT INFORMATION:

**FOUNDATION TYPE F**

0	03-15-10	STANDARD DRAWINGS
REV	DATE	ISSUED FOR: PLANNING

JOB #: 090003.10 DRAWN BY: PEH CHECKED BY: REG

SHEET TITLE:

**SOLID BLOCK FOUNDATION**

FOUNDATION TYPE:

**F**

REVISION:

**0**