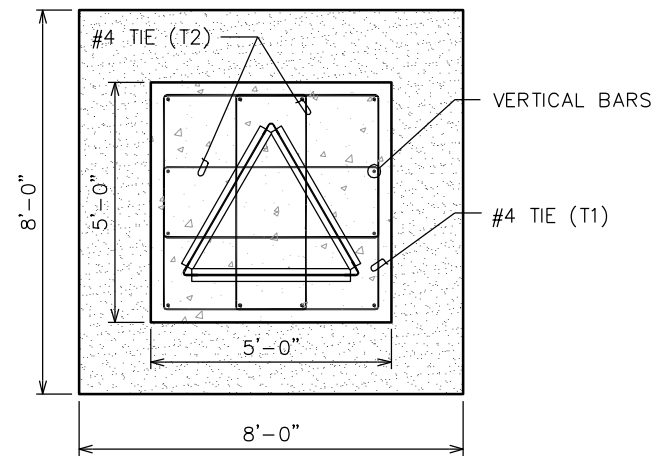


NOTE:
TOP AND BOTTOM BARS
NOT SHOWN FOR CLARITY.



REINFORCEMENT SCHEDULE

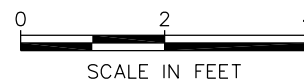
BAR	#	QUANTITY	LENGTH
TOP BARS	6	16	7'-6"
BOTTOM BARS	6	16	7'-6"
VERTICAL BARS	6	12	5'-8"
TIE (T1)	4	4	18'-8"
TIE (T2)	4	4	13'-2"

NOTES

- 3" COVER FOR ALL STEEL IN THE FOUNDATION IS REQUIRED.
- CONCRETE SHALL BE 4000 PSI AT 28 DAYS.
- ALL STEEL REINFORCEMENT SHALL BE ASTM A615, GR. 60.
- FOUNDATION DESIGN BASED ON THE PRESUMPTIVE SOIL PARAMETERS LISTED IN ANNEX F OF THE TIA-222-G STANDARD.
- FOUNDATION PIER IS DESIGNED AS STRUCTURAL PLAIN CONCRETE
- THEORETICAL WEIGHT OF BASE SECTION BEFORE GALVANIZING IS 100 LBS.
- TACK WELDS ARE PERMITTED ON PROPOSED REINFORCEMENT CAGE.
- INSTALL TOWER BASE SECTION AFTER SETTING BOTTOM STEEL REINFORCING AND PRIOR TO SETTING VERTICAL BARS, TIES, AND TOP STEEL.

FOUNDATION ELEVATION

SCALE: 3/8" = 1'-0"



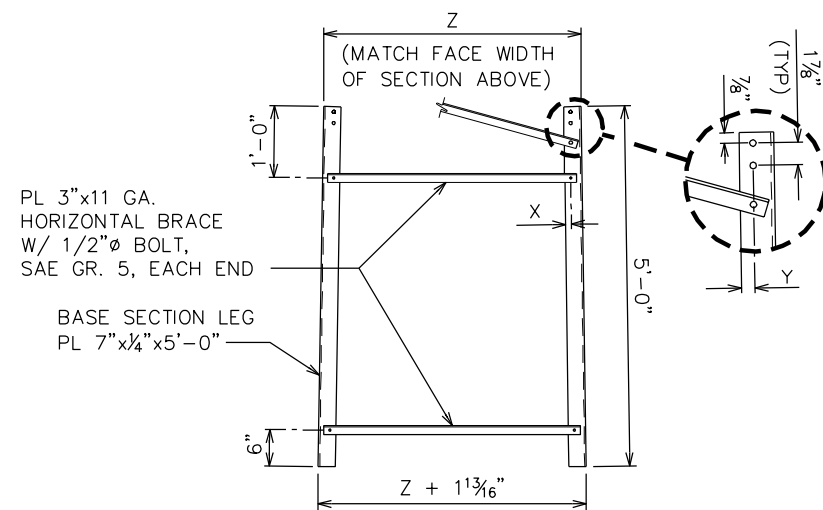
FOUNDATION PLAN VIEW

SCALE: 1/4" = 1'-0"



NOTE:

DIMENSIONS X, Y, AND Z TO MATCH THOSE OF SECTION ABOVE



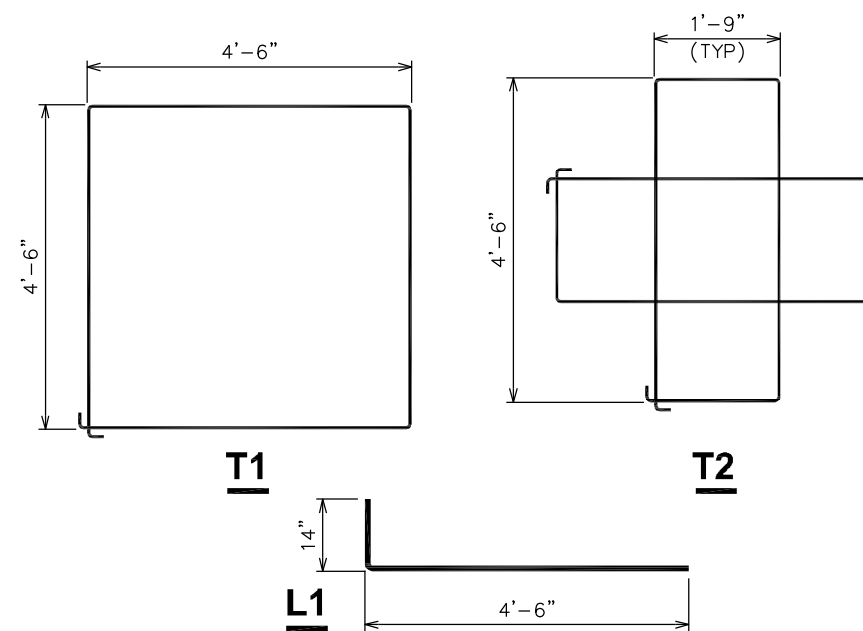
BASE SECTION ELEVATION

SCALE: 3/8" = 1'-0"



BAR DETAILS

SCALE: 3/8" = 1'-0"

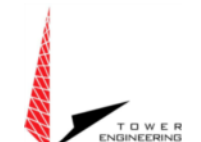


TOWER MANUFACTURER:



350 Kuhn Fording Road
East Berlin, PA 17316
Office: (717) 259-0419
Mobile: (717) 465-0519
www.anwtowers.com

TOWER DESIGNER:



326 Tryon Road
Raleigh, NC 27603
Office: (919) 661-6351
Fax: (919) 661-6350
www.tepgroup.net

PROJECT INFORMATION:

FOUNDATION TYPE D

REV	DATE	ISSUED FOR:
0	03-15-10	STANDARD DRAWINGS
		ISSUED FOR: PLANNING

JOB #: 090003.10 DRAWN BY: PEH CHECKED BY: REG

SHEET TITLE:

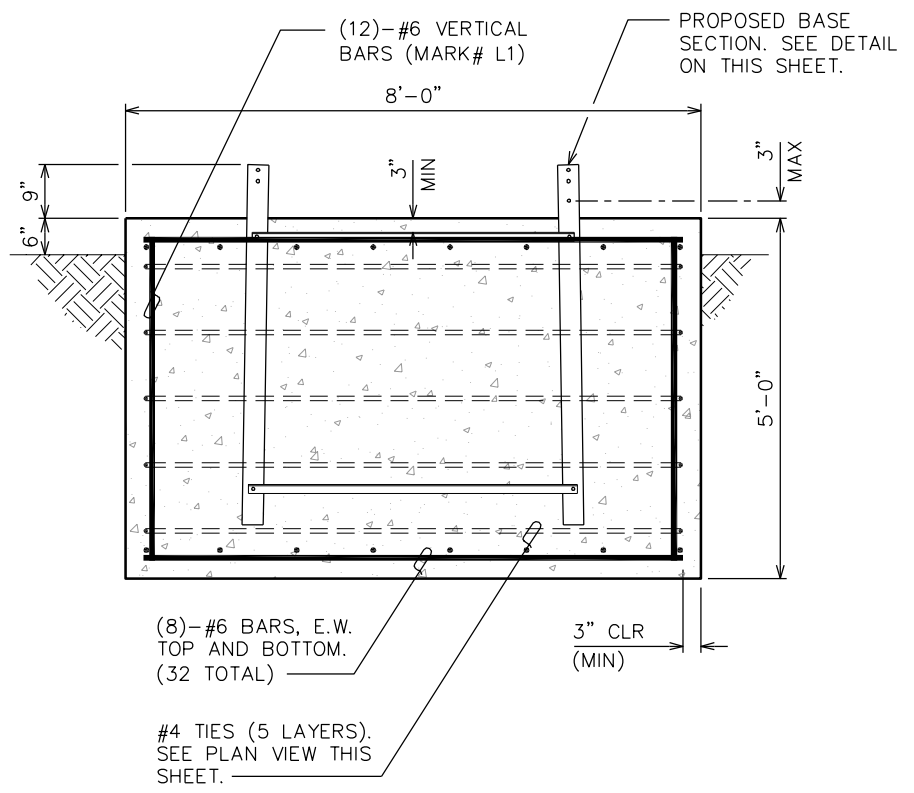
PAD & PIER FOUNDATION

FOUNDATION TYPE:

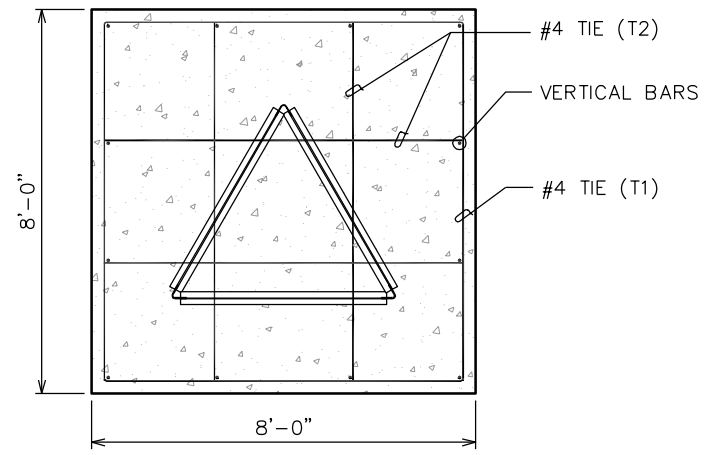
D

REVISION:

0



NOTE:
TOP AND BOTTOM BARS NOT SHOWN FOR CLARITY.



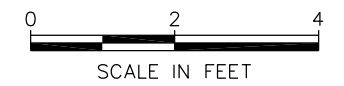
REINFORCEMENT SCHEDULE			
BAR	#	QUANTITY	LENGTH
TOP BARS	6	16	7'-6"
BOTTOM BARS	6	16	7'-6"
VERTICAL BARS	6	12	5'-8"
TIE (T1)	4	5	30'-8"
TIE (T2)	4	10	21'-2"

NOTES

- 3" COVER FOR ALL STEEL IN THE FOUNDATION IS REQUIRED.
- CONCRETE SHALL BE 4000 PSI AT 28 DAYS.
- ALL STEEL REINFORCEMENT SHALL BE ASTM A615, GR. 60.
- FOUNDATION DESIGN BASED ON THE PRESUMPTIVE SOIL PARAMETERS LISTED IN ANNEX F OF THE TIA-222-G STANDARD.
- FOUNDATION PIER IS DESIGNED AS STRUCTURAL PLAIN CONCRETE
- THEORETICAL WEIGHT OF BASE SECTION BEFORE GALVANIZING IS 100 LBS.
- TACK WELDS ARE PERMITTED ON PROPOSED REINFORCEMENT CAGE.
- INSTALL TOWER BASE SECTION AFTER SETTING BOTTOM STEEL REINFORCING AND PRIOR TO SETTING VERTICAL BARS, TIES, AND TOP STEEL.

FOUNDATION ELEVATION

SCALE: 3/8" = 1'-0"



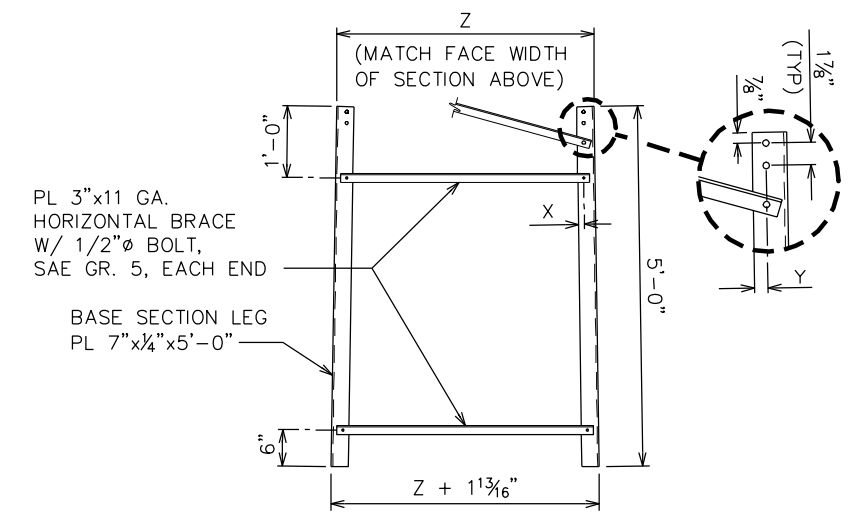
FOUNDATION PLAN VIEW

SCALE: 1/4" = 1'-0"



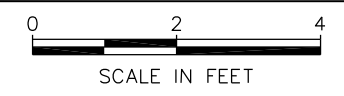
NOTE:

DIMENSIONS X, Y, AND Z TO MATCH THOSE OF SECTION ABOVE



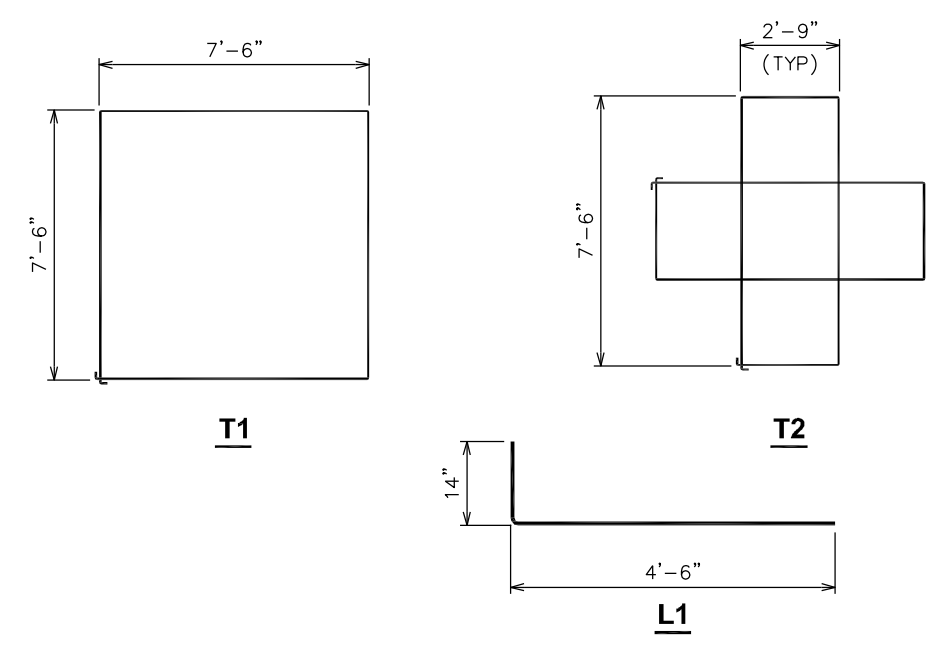
BASE SECTION ELEVATION

SCALE: 3/8" = 1'-0"



BAR DETAILS

SCALE: 3/16" = 1'-0"



TOWER MANUFACTURER:



350 Kuhn Fording Road
East Berlin, PA 17316
Office: (717) 259-0419
Mobile: (717) 465-0519
www.anwtowers.com

TOWER DESIGNER:



326 Tryon Road
Raleigh, NC 27603
Office: (919) 661-6351
Fax: (919) 661-6350
www.tepgroup.net

PROJECT INFORMATION:

FOUNDATION TYPE D

0	03-15-10	STANDARD DRAWINGS
REV	DATE	ISSUED FOR: PLANNING

JOB #: 090003.10 DRAWN BY: PEH CHECKED BY: REG

SHEET TITLE:

SOLID BLOCK FOUNDATION

FOUNDATION TYPE:

D

REVISION:

0